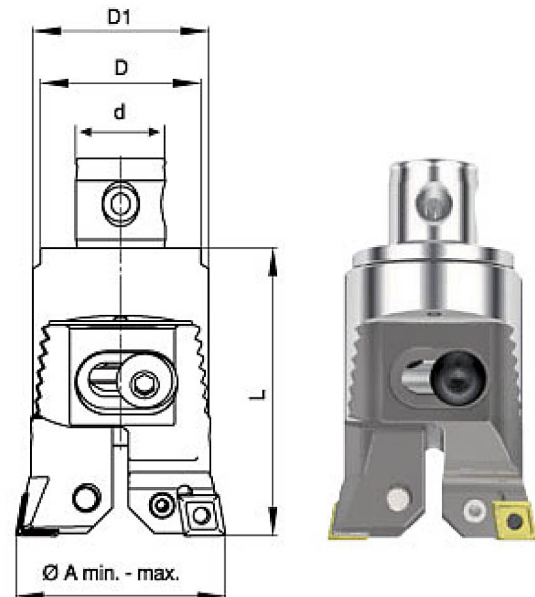


Двухрезцовые черновые расточные головки

Номер по каталогу	∅ A min.	∅ A max.	d	D	D1	L	Для вставки
D04.020.024.045	23.5	30.5	11	20	20	45	D14.020.024.006 D24.020.024.006 D34.020.024.006 D37.020.024.006
D04.025.031.056	29.5	40.1	14	25	25	56	D14.025.031.006 D24.025.031.006 D34.025.031.006 D37.025.031.006
D04.032.040.066	39.5	50.5	18	32	32	66	D14.032.040.009 D24.032.040.009 D34.032.040.009 D37.032.040.009
D04.040.051.075	49.5	66.5	22	40	42	75	D14.039.051.009 D24.039.051.009 D34.039.051.009 D37.039.051.009
D04.050.067.090	65.5	87.5	28	50	55	90	D14.050.067.012/112 D24.050.067.012/112 D34.050.067.012 D37.050.067.012
D04.063.087.110	86.5	115.5	36	63	72	110	D14.064.087.012/116 D24.064.087.012/116 D34.064.087.012 D37.064.087.012
D04.080.115.140	114.5	153	36	80	94	140	D14.090.115.012/116 D24.090.115.116 D34.090.115.012 D37.090.115.012

С внутренним подводом СОЖ.
Вставки заказываются отдельно.

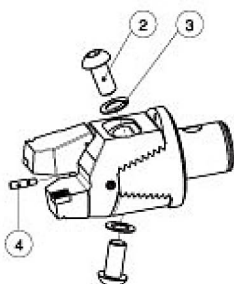


Аксессуары

D04

Для
головки

Номер по каталогу



	Винт ②	Шайба Гровера ③	Стопор ④
D04.020.024.045	J00.404.004.008	J00.405.004.000	J00.406.025.008
D04.025.031.056	J00.404.005.012	J00.405.005.000	J00.406.025.008
D04.032.040.066	J00.404.006.016	J00.405.006.000	J00.406.030.012
D04.040.051.075	J00.404.008.020	J00.405.008.000	J00.406.030.014
D04.050.067.090	J00.404.010.025	J00.405.010.000	J00.406.040.020
D04.063.087.110	J00.404.012.025	J00.405.012.000	J00.406.060.020
D04.080.116.140	J00.404.016.035	J00.405.016.000	J00.406.060.020